

English

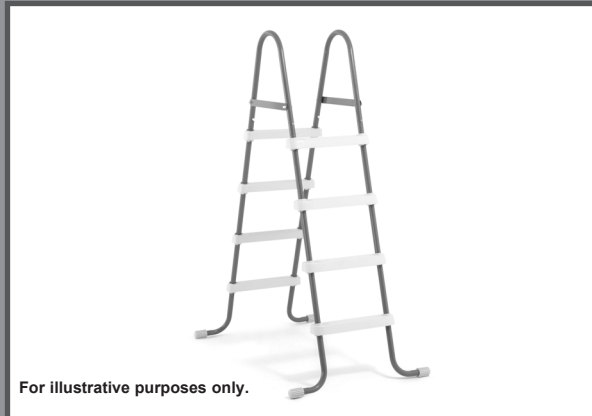
330
A

IMPORTANT SAFETY RULES

Read, understand, and follow all instructions carefully before installing and using this product. Keep for future reference.

Pool Ladder

36" (91cm), 42" (107cm),
48" (122cm) models



Don't forget to try these other fine Intex products: Pools, Pool Accessories, Inflatable Pools and In-Home Toys, Airbeds and Boats available at fine retailers or visit our website.

Due to a policy of continuous product improvement, Intex reserves the right to change specifications and appearance, which may result in updates to the instruction manual, without notice.

OWNER'S MANUAL

INTEX®

©2023 Intex Marketing Ltd. - Intex Development Co. Ltd. - Intex Recreation Corp. All rights reserved/Tous droits réservés/Todos los derechos reservados/Alle Rechte vorbehalten. Printed in China/Imprimé en Chine/Impreso en China/Gedruckt in China.

®™ Trademarks used in some countries of the world under license from®™ Marques utilisées dans certains pays sous licence de/Marcas registradas utilizadas en algunos países del mundo bajo licencia de/Warenzeichen verwendet in einigen Ländern der Welt in Lizenz von/Intex Marketing Ltd. to/à/a/an Intex Development Co. Ltd., Hong Kong & Intex Recreation Corp., P.O. Box 1440, Long Beach, CA 90801 • Distributed in the European Union by/Distribué dans l'Union Européenne par/Distribuido en la Unión Europea por/Vertrieb in der Europäischen Union durch/Intex Trading B.V., Ettenseweg 46, 4706 PB Roosendaal – The Netherlands • Distributed in the UK by Unisex Service (UK) Limited, 21 Holborn Viaduct, London EC1A 2DY, UK.
www.intexcorp.com

330-*A*-R0-2405

TABLE OF CONTENTS

Warnings.....	3
Parts References.....	4
Setup Instructions.....	5-7
General Aquatic Safety.....	7
Limited Warranty.....	8

SAVE THESE INSTRUCTIONS

IMPORTANT SAFETY RULES

Read, Understand and Follow All Instructions Carefully Before Installing and Using this Product.



WARNING

- Supervise children and those with disabilities at all times.
- Always assist children when they use the ladder to avoid falls and/or serious injury.
- Never dive or jump from this ladder.
- Locate the ladder on a level, solid base.
- One person on this ladder at a time.
- Maximum load: 300 lbs (136 kg). Complies with EN16582 strength requirements.
- Face the ladder at all times for entry/exit of pool.
- Remove and secure ladder when pool is not occupied.
- Do not swim under, through or behind ladder.
- Check all nuts and bolts regularly to ensure ladder stays sturdy.
- If swimming at night use artificial lighting to illuminate all safety signs, ladders, pool floor and walkways.
- Assembly and disassembly by adults only.
- This ladder is designed and manufactured for a specific pool wall height and/or deck of the pool. Do not use with other pools.
- Failure to follow the maintenance instructions and warnings may result in adverse health effects or injury, particularly to children.
- Only use this ladder for the purposes described in this manual.

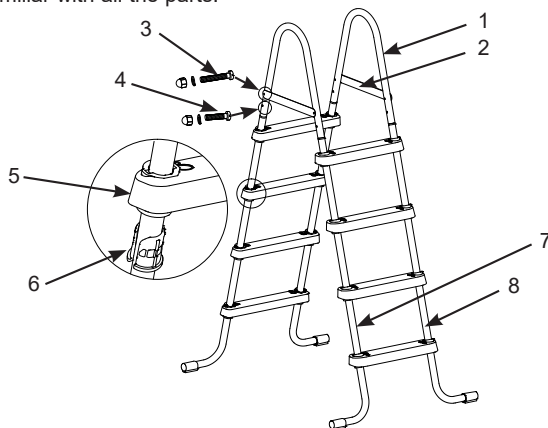
FAILURE TO FOLLOW THESE WARNINGS MAY RESULT IN BROKEN BONES, ENTRAPMENT, PARALYSIS, DROWNING OR OTHER SERIOUS INJURY.

These product warnings, instructions and safety rules provided with the product represent some common risks of water recreation devices and do not cover all instances of risk and danger. Please use common sense and good judgment when enjoying any water activity.

SAVE THESE INSTRUCTIONS

PARTS REFERENCE

Before assembling your product, please take a few minutes to check the contents and become familiar with all the parts.



Drawings for 48" (122cm) model [36" (91cm) and 42" (107cm) not shown]

NOTE: Drawings for illustration purpose only. Actual product may vary. Not to scale.

REF. NO.	DESCRIPTION	QUANTITY		SPARE PART NO.					
				36"		42"		48"	
		36" 42"	48"	#28064	#12625	#28065	#12626	#28066	#12627
1	U-SHAPED TOP RAIL	2	2	12633A	12634	12637A	12638	12637A	12638
2	TOP BRACE	2	2	12509A	11403	12509A	11403	12509A	11403
3	LONG FASTENER FOR TOP BRACE (WITH 1 EXTRA)	5	5	10227	10227	10227	10227	10227	10227
4	SHORT FASTENER FOR U-SHAPED TOP RAIL (WITH 1 EXTRA)	5	5	10810	10810	10810	10810	10810	10810
5	STEP	6	8	12629	12631	12629	12631	12629	12631
6	STEP ANCHOR SLEEVE	12	16	12630	12632	12630	12632	12630	12632
7	J-SHAPED SIDE LEG (MARKED "A")	2	2	12635AA	12636A	12639AA	12640A	12641AA	12642A
8	J-SHAPED SIDE LEG (MARKED "B")	2	2	12635AB	12636B	12639AB	12640B	12641AB	12642B

This ladder is designed and manufactured for Intex pool wall height:

Item #	Pool Wall Height	Item #	Pool Wall Height
28064 (grey & white)	36" (91cm)	12625 (white & blue)	36" (91cm)
28065 (grey & white)	42" (107cm)	12626 (white & blue)	42" (107cm)
28066 (grey & white)	48" (122cm)	12627 (white & blue)	48" (122cm)

IMPORTANT

It is very important to lay out the parts correctly and identify which parts connect together before starting the assembly. Although some parts look alike, they are not always interchangeable. Refer to the parts list.

SAVE THESE INSTRUCTIONS

LADDER SETUP

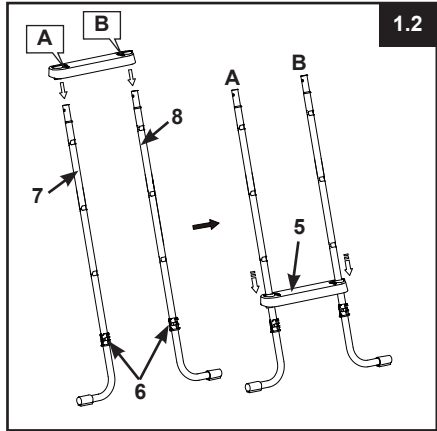
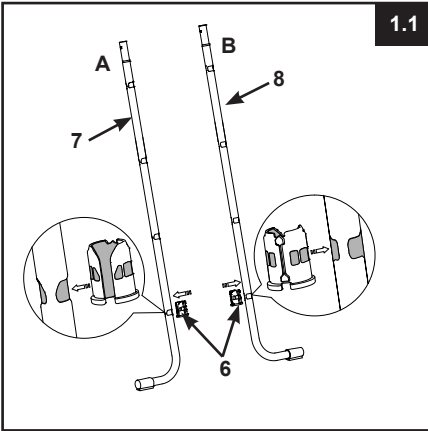
TOOLS REQUIRED: One (1) Phillips screwdriver, one (1) small flat screwdriver
One (1) pair of pliers or a small adjustable wrench

IMPORTANT: Do not fully tighten fasteners until last assembly operation.

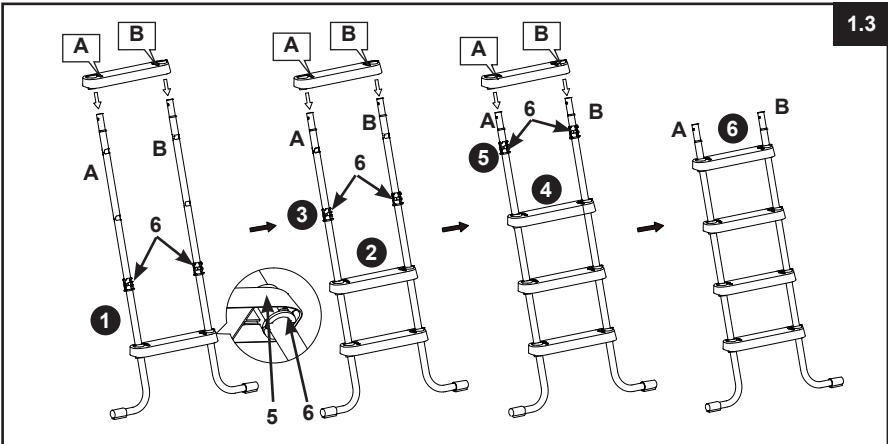
⚠ WARNING

INCORRECTLY CONNECTED PARTS MAY RESULT IN AN UNSTABLE LADDER OR LADDER FAILURE WHICH CAN CAUSE FALLING AND PERSONAL INJURY OR DEATH.

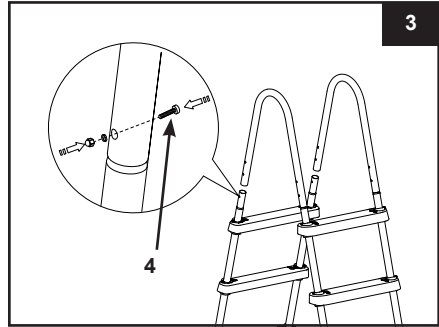
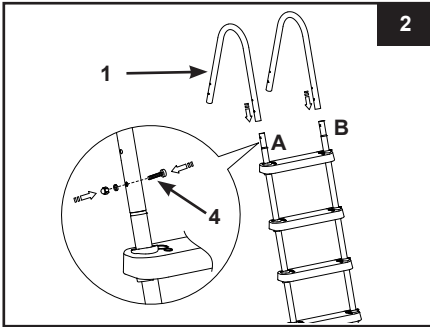
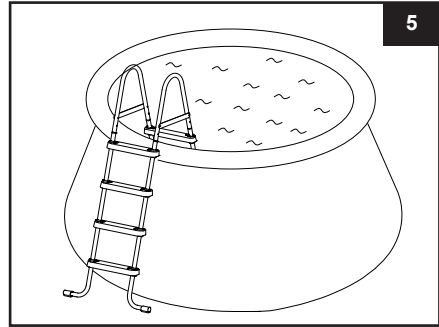
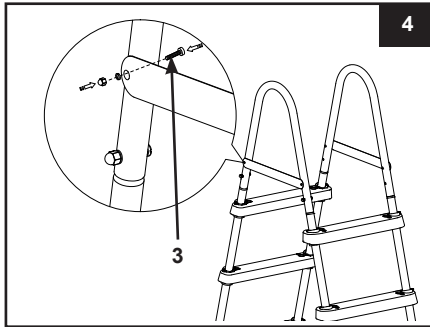
1. STEP INSTALLATION (refer to figures 1.1 through 1.3):



IMPORTANT: Ensure the J-shaped legs are pointing outwards before installing the steps.



SAVE THESE INSTRUCTIONS

LADDER SETUP (continued)**2. U-SHAPED TOP RAIL INSTALLATION** (refer to figure 2):**3. INSTALLATION OF THE REMAINING LADDER SIDE** (refer to figure 3):**4. TOP BRACE INSTALLATION – ONE SIDE AT A TIME** (refer to figure 4):**5. BEFORE USE OF LADDER:**

With all parts now in place, verify that all fasteners/screws are fully tightened and apply downward pressure to each step to be sure they are fully anchored in place. Place the ladder over the side wall of your pool, with one side of the ladder located inside the pool and the other side outside of the pool - see figure 5.

WARNING

- Locate ladder on a level, solid base and make sure the ladder is stable and safe to climb.
- Remove and secure ladder away from the pool when the pool is not in use to prevent unauthorized, unintentional or unsupervised pool entry.
- Check all nuts and bolts regularly and before each use to ensure the ladder is sturdy. See maintenance instructions.

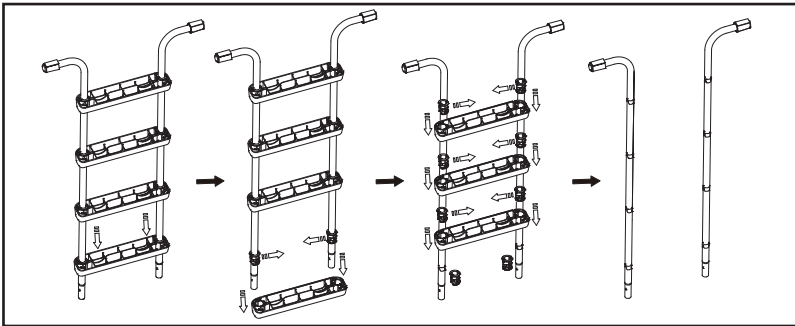
SAVE THESE INSTRUCTIONS

LADDER SETUP (continued)330
A**6. MAINTENANCE:**

Regularly check all nuts, bolts, steps and step anchor sleeves to ensure all parts are secured properly and the ladder is sturdy.

7. WINTERIZING / LONG TERM STORAGE:

- Remove the ladder from the pool, and make sure the ladder is thoroughly dry before long term storage.
- Bring the ladder and all its components indoors and store in a safe and dry area, preferably between 32°F (0°C) and 104°F (40°C).
- Be sure the ladder and all components are stored in a safe place away from children's reach.

8. STEP DISASSEMBLY:**GENERAL AQUATIC SAFETY**

Water recreation is both fun and therapeutic. However, it involves inherent risks of injury and death. To reduce your risk of injury, read and follow all product, package and package insert warnings and instructions. Remember, however, that product warnings, instructions and safety guidelines cover some common risks of water recreation, but do not cover all risks and dangers.

For additional safeguards, also familiarize yourself with the following general guidelines as well as guidelines provided by nationally recognized Safety Organizations:

- Demand constant supervision. A competent adult should be appointed as a "lifeguard" or water watcher, especially when children are in and around the pool.
- Learn to swim.
- Take the time to learn CPR and first aid.
- Instruct anyone who is supervising pool users about potential pool hazards and about the use of protective devices such as locked doors, barriers, etc.
- Instruct all pool users, including children what to do in case of an emergency.
- Always use common sense and good judgement when enjoying any water activity.
- Supervise, supervise, supervise.

SAVE THE CARTON FOR STORAGE AND THE INSTRUCTIONS FOR RE-ASSEMBLY

SAVE THESE INSTRUCTIONS

LIMITED WARRANTY

Your Intex Pool Ladder has been manufactured using the highest quality materials and workmanship. All Intex products have been inspected and found free of defects prior to leaving the factory. This Limited Warranty applies to the Intex Pool Ladder only.

This limited warranty is in addition to, and not a substitute for, your legal rights and remedies. To the extent that this warranty is inconsistent with any of your legal rights, they take priority. For example, consumer laws across the European Union provide statutory warranty rights in addition to the coverage you receive from this limited warranty: for information on EU-wide consumer laws, please visit the European Consumer Center website at http://ec.europa.eu/consumers/ecc/contact_en/htm.

The provisions of this Limited Warranty apply only to the original purchaser and are not transferable. This Limited Warranty is valid for a period of 1 year from the date of the initial retail purchase. Keep your original sales receipt with this document, as proof of purchase will be required and must accompany warranty claims or the Limited Warranty will be invalid.

If you find a manufacturing defect in the Intex Pool Ladder during the warranty period, please contact the appropriate Intex Service Center listed in the separate "Authorized Service Centers" sheet. If the item is returned as directed by the Intex Service Center, the Service Center will inspect the item and determine the validity of the claim. If the item is covered by the provisions of the warranty, the item will be repaired or replaced, with the same or comparable item (at Intex's choice) at no charge to you.

Other than this warranty, and other legal rights in your country, no further warranties are implied. To the extent possibly in your country, in no event shall Intex be liable to you or any third party for direct or consequential damages arising out of the use of your Intex Pool Ladder, or Intex or its agents' and employees' actions (including the manufacture of the product). If your country does not allow the exclusion or limitation of incidental or consequential damages, this limitation or exclusion does not apply to you.

You should note that this limited warranty does not apply in the following circumstances:

- If the Intex Pool Ladder is subject to negligence, abnormal use or application, accident, improper operation, improper maintenance or storage.
- If the Intex Pool Ladder is subject to damage by circumstances beyond Intex's control, including but not limited to, ordinary wear and tear and damage caused by exposure to fire, flood, freezing, rain, or other external environmental forces;
- To parts and components not sold by Intex; and/or.
- To unauthorized alterations, repairs or disassembly to the Intex Pool Ladder by anyone other than Intex Service Center personnel.

The costs associated with the loss of pool water, chemicals or water damages are not covered by this warranty. Injury or damage to any property or person is not covered by this warranty.

Read the owner's manual carefully and follow all instructions regarding proper operation and maintenance of your Intex Pool Ladder. Always inspect your product prior to use. This limited warranty will be void if use instructions are not followed.

SAVE THESE INSTRUCTIONS