

INTEX® OWNER'S MANUAL INFLATABLE TRANSON BOAT

IMPORTANT

THIS BOOKLET CONTAINS IMPORTANT SAFETY INFORMATION.
READ IT THOROUGHLY BEFORE USING THIS PRODUCT AND
KEEP IT FOR FUTURE REFERENCE.

MARINER 310

ISO-6185 BOAT DESIGN CATEGORY C

MARINER 260

ISO-6185 BOAT DESIGN CATEGORY D

Due to a policy of continuous product improvement, Intex reserves the right to change specifications and appearance, which may result in updates to the instruction manual without notice.

©2024 Intex Marketing Ltd. - Intex Development Co. Ltd. - Intex Recreation Corp. All rights reserved/Tous droits réservés/Todos los derechos reservados/Alle Rechte vorbehalten. Printed in China/Imprimé en Chine/Impreso en China/Gedruckt in China.

®™ Trademarks used in some countries of the world under license from/®™ Marques utilisées dans certains pays sous licence de/Marcas registradas utilizadas en algunos países del mundo bajo licencia de/Warenzeichen verwendet in einigen Ländern der Welt in Lizenz von/Intex Marketing Ltd. to/à/a/an Intex Development Co. Ltd., Hong Kong & Intex Recreation Corp., P.O. Box 1440, Long Beach, CA 90801 • Distributed in the European Union by/Distribué dans l'Union Européenne par/Distribuido en la unión Europea por/Vertrieb in der Europäischen Union durch/Intex Trading B.V., Ettenseweg 46, 4706 PB Roosendaal – The Netherlands • Distributed in the UK by Unitex Service (UK) Limited, 21 Holborn Viaduct, London EC1A 2DY, UK.
www.intexcorp.com

TABLE OF CONTENTS

INTRODUCTION.....	3
MANUFACTURER’S CERTIFICATION.....	3
SAFETY & WARNING.....	3
MANUFACTURER’S RECOMMENDATION.....	4
DESCRIPTION AND PARTS REFERENCE.....	5-6
INFLATING INSTRUCTIONS, SEAT AND FLOOR INSTALLATION.....	7
OAR AND OAR LOCK ASSEMBLY.....	8
SELF-BAILER VALVE OPERATION.....	8
DEFLATION.....	8
AIR VALVE FASTENING.....	8
INSTALLING AND ADJUSTING THE MOTOR.....	9
LOAD DISTRIBUTION.....	9
MOORING AND TOWING.....	9
SAFETY AND OPERATION INSTRUCTIONS.....	9-10
RULES TO OBSERVE DURING NAVIGATION.....	10
CARE AND MAINTENANCE.....	10
DISASSEMBLY AND STORAGE.....	11
TROUBLESHOOTING.....	11
REPAIRS.....	11
LIMITED WARRANTY.....	12

SAVE THESE INSTRUCTIONS

Introduction

This manual has been compiled to help you to operate your craft with safety and pleasure. It contains details of the craft, the equipment supplied or fitted, its systems, and information on its operation and maintenance. Please read it carefully, and familiarize yourself with the craft before using it.

If this is your first craft, or you are changing to a type of craft you are not familiar with, for your own comfort and safety, please ensure that you obtain handling and operating experience before assuming command of the craft. Your dealer or national sailing federation or yacht club will be pleased to advise you of local sea school, or competent instructors.

PLEASE KEEP THIS MANUAL IN A SECURE PLACE, AND HAND IT OVER TO THE NEW OWNER WHEN YOU SELL THE CRAFT. RECORD THE "WATERCRAFT IDENTIFICATION NUMBER" (WIN) WHICH IS PRINTED ON THE BOAT'S HULL IN THE FOLLOWING BOX:

WIN: _____

Manufacturer's Certification

For boats between and including 2.5 and 24 meters hull length, a **CE** (FOR EUROPE ONLY) mark means that the boat complies with European Directives for Recreational Craft 2013/53/EU as published by the International Organization for Standardization, ISO 6185.

NMMA (FOR USA ONLY) certification means that the boat, sold in the United States, has been judged by the National Marine Manufacture's Association to be in compliance with the U.S. Coast Guard Regulations and American Boat and Yacht Council (ABYC) standards and recommended practices.

Safety

In Europe, your boat has been designed to navigate under different conditions:

Boat Design Category C -"INSHORE"-: Designed for voyages in coastal waters, large bays, estuaries, lakes and rivers where conditions up to, and including, wind force 6 (Beaufort scale) and significant wave heights up to, and including, 2 m may be experienced.

Boat Design Category D -"SHELTERED WATERS"-: Designed for voyages on sheltered coastal waters, small bays, small lakes, rivers and canals when conditions up to, and including, wind force 4 (Beaufort scale) and significant wave heights up to, and including, 0.3 m may be experienced, with occasional waves of 0.5 m maximum height, for example from passing vessels.

Boat TYPE

Boat TYPE is defined by the motor rating according to ISO 6185 Standard:

ISO 6185 TYPE	II	V
Motor rating in kW	0 – 4.5 kW	4.5 – 15 kW
Motor rating in HP	0 – 6 CV/HP	6 – 20 CV/HP




WARNING

- This is not a life saving device. Use only under competent supervision. Never allow diving into this product. Never leave in or near the water when not in use.
- Read the complete Owner's Manual before use and store this Manual in a safe place for future reference.
- Follow all the Safety and Operating Instructions on this Manual.
- Inflatable boats capable of taking an outboard motor. Motors are not to exceed the maximum recommended power and weight.
- Rotating propeller may cause serious injury or death. Shut off engine when near persons in the water.
- Beware of offshore winds and currents. Never navigate alone.
- Do not exceed the maximum recommended capacities. Overloading violates regulations.
- Everyone on board must wear a Personal Floatation Device (PFD).
- Use caution when stepping or climbing aboard the boat. Step into the center of the boat for maximum stability.
- Distribute the weight of passengers, gear, tackle box, and accessories so that the boat sits level fore (front) to aft (back) and side-to-side.
- Do not use your boat if you suspect a puncture or leak.
- Adults should inflate the chambers in numbered sequence.
- Not for commercial or rental use.
- Follow these rules to avoid drowning, paralysis or other serious injuries.







SAVE THESE INSTRUCTIONS

Manufacturer's Recommendation

The total number of persons, motor power and total weight shall not exceed the limits printed on the boat. Please refer to the boat's hull label for the actual values of your boat. See Table A.

TABLE A							
MODEL	L _h	W _h				 bar (psi)	
	m/in	m/in	lbs	kg		hull	floor
MARINER 260	2.65/105	1.55/61	880	400	3	0.25/3.6	0.83/12
MARINER 310	3.10/122	1.55/61	1100	500	4	0.25/3.6	0.83/12

BOAT LABEL FORMAT

<p>ISO 6185 PART ____ TYPE ____</p> <p>CATEGORY ____</p> <p>① Do not overinflate or use high pressure air compressor to inflate. Adults should inflate the chambers with cold air in numbered sequence.</p> <p>Nicht zu stark aufblasen und keinen Kompressor zum Aufblasen verwenden. Erwachsene sollten die Kammern in der angegebenen Reihenfolge mit kalter Luft aufblasen.</p> <p>Ne pas surgonfler. Ne pas utiliser de compresseur pour le gonflage. Le gonflage doit être effectué par un adulte avec de l'air froid en suivant les étapes suivantes.</p> <p>②  BY INTEX®</p>	<p>MAXIMUM CAPACITIES MAXIMUM-KAPAZITÄT CAPACITÉS MAXIMUM  = __ Kg (__ Lbs) ④</p>
	<p>MAXIMUM POWER MAXIMUM MOTORKRAFT PUISSANCE MAXIMUM  __ kW (__ HP) / __ Kg (__ Lbs) ⑤</p>
	<p>PERSONS PERSONEN PERSONNES  = __ ⑥</p>
	<p>MANUFACTURER HERSTELLER FABRICANT INTEX® CHINA ⑦</p>
	<p>MODEL MODELL MODÈLE _____ ⑧</p>
	<p>HULL CHAMBER / HULL KAMMER / CHAMBRE DE COQUE  = __ bar (__ psi) ⑨</p> <p>FLOOR / ETAGE / PLANCHER  = __ bar (__ psi) ⑨</p>
<p>MAXIMUM CAPACITIES / CAPACITÉS MAXIMALES</p> <p>PERSONS OR __ LBS / PERSONNES OU __ KG (__ LBS)</p> <p>__ LBS PERSONS, GEAR / __ KG (__ LBS) PERSONNES, MOTEUR ET ÉQUIPEMENT</p> <p>H.P. MOTOR / __ kW (__ H.P.) MOTEUR</p> <p>DESIGN COMPLIANCE WITH NMMA REQUIREMENTS BELOW IS VERIFIED. MFGR. RESPONSIBLE FOR PRODUCTION CONTROL LA CONFORMITÉ DU DESIGN AVEC LES EXIGENCES NMMA EST VÉRIFIÉE. MFGR. RESPONSABLE DU CONTRÔLE PRODUCTION ⑩</p> <p>LOAD CAPACITY (BASIC FLOTATION) CAPACITÉ DE CHARGE (FLOTATION DE BASE) __ Kg (__ Lbs) MAX.</p> <p>Certified by the National Marine Manufacturers Association using ABYC standards Certifié par la National Marine Manufacturers Association en utilisant les normes ABYC</p>	
③ CN- XEE	

① ISO-6185 boat design category.

② CE mark (for Europe only).

③ Watercraft identification number (WIN).

④ Manufacturer's recommended maximum load capacity.

⑤ Maximum motor power and motor weight.

⑥ Maximum person's capacity.

⑦ Manufacturer's name and country of origin.

⑧ Model name and/or number.

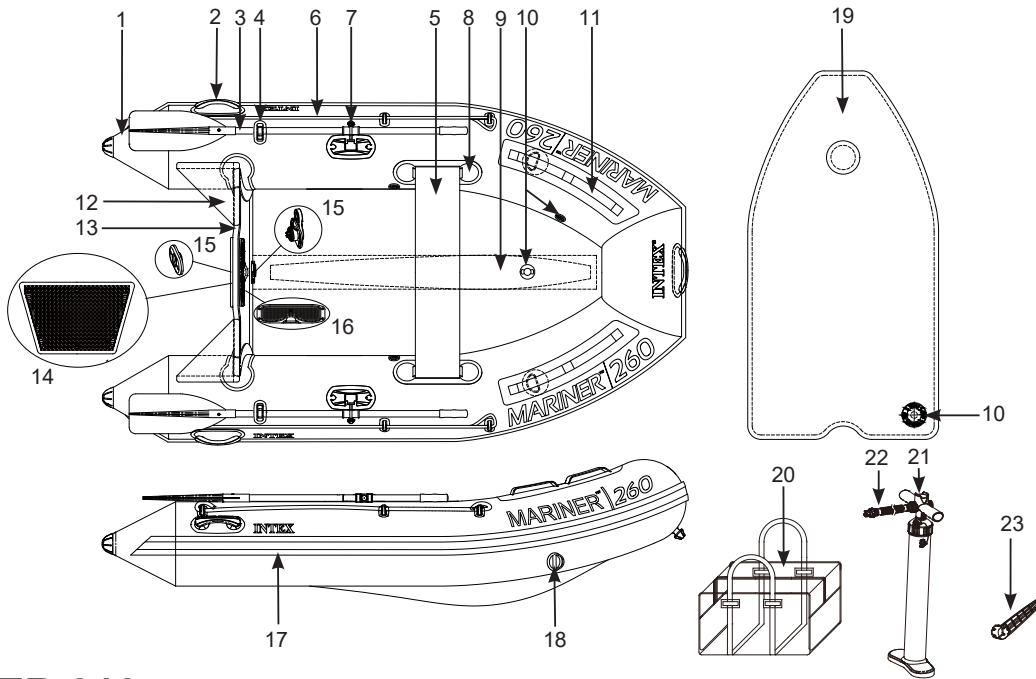
⑨ Manufacturer's recommended working pressure.

⑩ NMMA (for USA only) certification means that the boat, sold in the United States, has been judged by the National Marine Manufacture's Association to be in compliance with the U.S. Coast Guard Regulations and American Boat and Yacht Council (ABYC) standards and recommended practices.

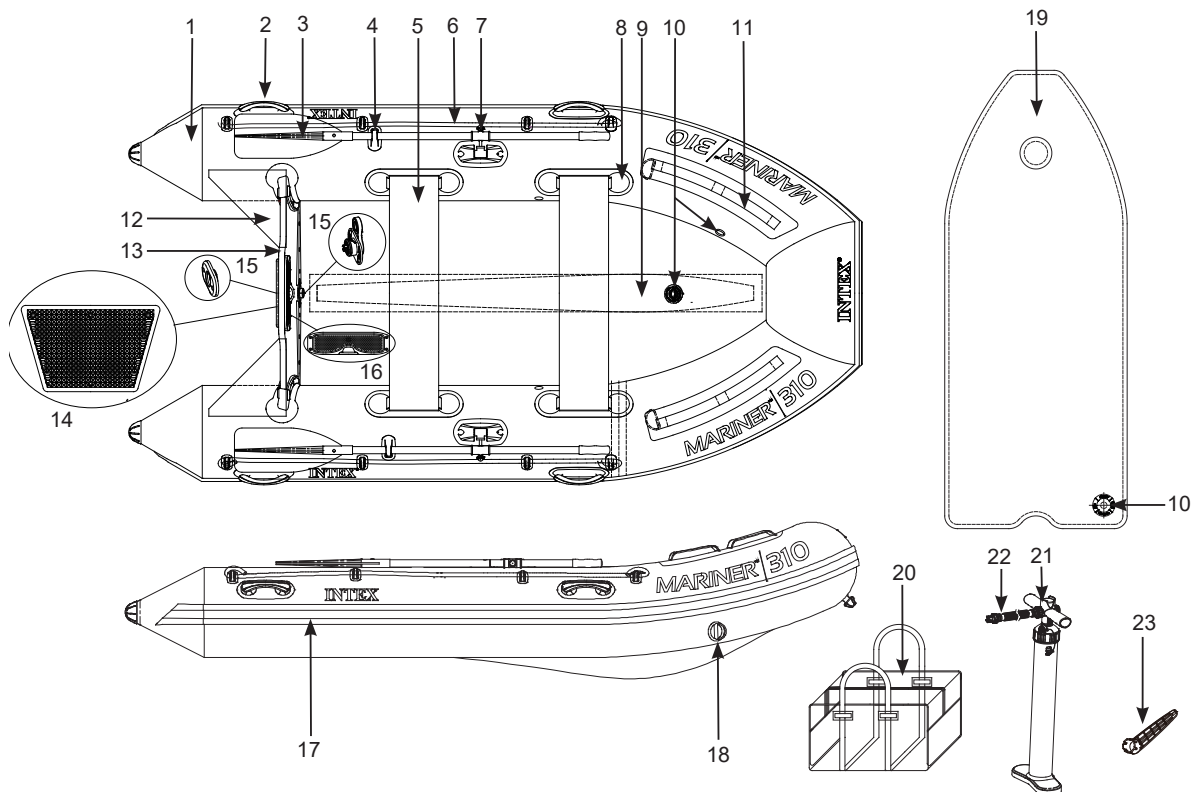
SAVE THESE INSTRUCTIONS

Description and Parts Reference

MARINER 260



MARINER 310



NOTE: Drawings for illustration purpose only. Actual product may vary. Not to scale.

SAVE THESE INSTRUCTIONS

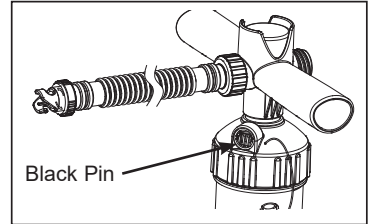
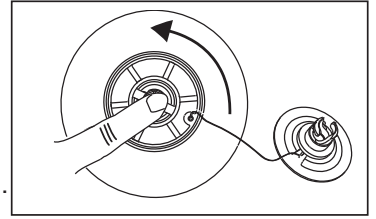
REF.NO.	DESCRIPTION	QTY.		SPARE PART NO.	
		Mariner 260	Mariner 310	Mariner 260	Mariner 310
1	Hull	1	1	13523	13522
2	Handle	3	5	/	/
3	Oar	2	2	10062	10062
4	Oar holder	2	2	/	/
5	Seat	1	2	13520	13520
6	Safety rope	2	2	13526	13527
7	Oar lock	2	2	/	/
8	Seat connector	2	4	/	/
9	Inflatable keel	1	1	/	/
10	Air valves	5	5	/	/
11	Strap handle	2	2	/	/
12	Splash guard	2	2	/	/
13	Transom	1	1	/	/
14	Engine plate	1	1	13518	13518
15	Self-bailer Valve	1	1	13517	13517
16	Engine mount	1	1	13519	13519
17	Rock guard	1	1	/	/
18	Towing rings	2	2	/	/
19	Inflatable floor	1	1	13524	13525
20	Carry bag	1	1	13521	13521
21	Double action air pump (hose not included)	1	1	13547	13547
22	Hose	1	1	13260	13260
23	Wrench	1	1	11742A	11742A

NOTE: When ordering parts, be sure to quote the model number and part numbers.

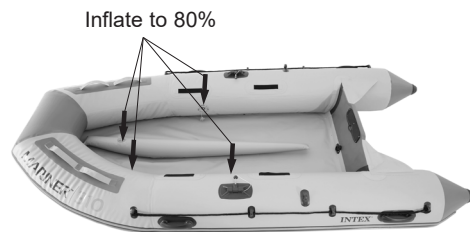
SAVE THESE INSTRUCTIONS

Inflating Instructions, Seat and Floor Installation:

1. Locate a flat surface free of sharp objects. Unfold the product with the valve facing up.
2. Open the hull valve cap. Make sure the valve stem is in the up (close) position. If the valve stem is down and air is escaping, gently push the stem in and turn it counterclockwise to close the valve (up position). You should feel the stem spring up and stay in the up (closed) position.
3. Screw the inflation hose to the pump inflation port. Make sure the black pin is inserted into the hand pump. With the pin inserted, the pump is now in "**double action**" mode meaning that airflow occurs on both the up and down compressions. When it becomes difficult to inflate on both strokes, remove the black pin, the pump is now in "**single action**" mode meaning you will only be inflating on the down compression. This allows for easier inflation at higher pressure.
4. Insert the inflation hose into the valve and turn clockwise to lock it in place.
5. **Recommended working pressures:**
Hull and keel: 0.25 bar (3.6 psi). **Inflatable floor:** 0.83 bar (12 psi).
6. Slowly **inflate the hull and the keel to 80% of the recommended working pressure first** by following the numerical sequence. **WARNING:** Do not exceed the recommended working pressure. Do not use an air compressor. Over inflation will damage the product and void the warranty.



(Mariner 310 shown)



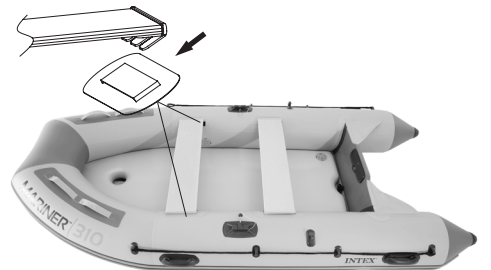
7. Floor installation:

Unfold the inflatable floor (19) and place it on the bottom of the boat. Make sure the keel air valve is exposed through the hole on the inflatable floor, and the inflatable floor air valve is facing up.



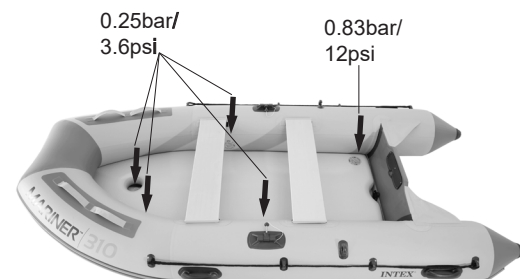
8. Seat installation:

Insert the ends of the seat into the seat connectors located on both sides of the hull. Release some air from the hull to make the seat installation easier if needed.



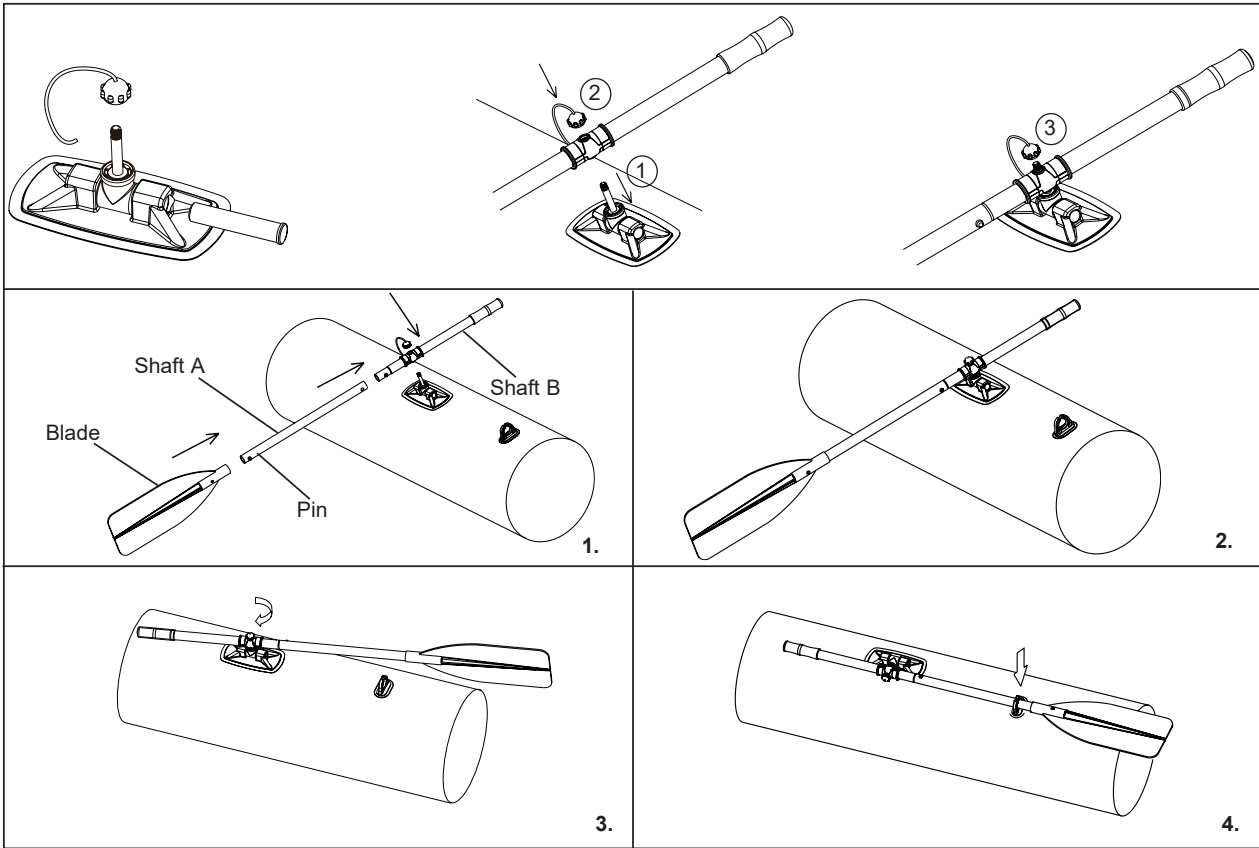
9. Inflate the floor (19) to the recommended working pressure first, then continue filling the hull and the keel to the recommended working pressure. Check the pressure gauge reading on the pump to ensure correct air pressure for each air chamber. Remove the hose from the air valve and close all the valve caps. In case of over pressure, press the valve stem to release some air.

NOTE: To avoid damage to the pressure gauge, do not remove the protective foam that surrounds the pressure gauge on the pump handle.



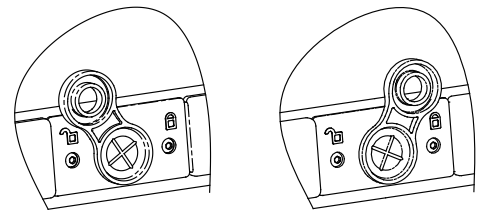
SAVE THESE INSTRUCTIONS

Oar and Oar Lock Assembly



Self-Bailer Valve Operation

Get the boat underway, slide the self-bailer valve to the open position and the water will automatically run out. The one-way diaphragm will prevent water from returning. After the water has been drained out, slide the self-bailer valve to the closed position.

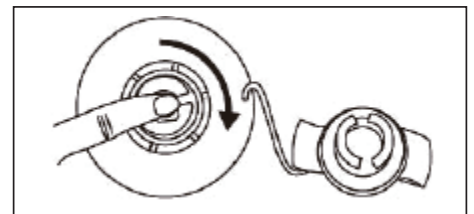


Drain

Closed

Deflation

1. Unscrew the cap to reveal the stem, push the stem in and turn 90 degree right to secure it in the down position.
2. Once the deflation is completed, push the stem in and turn 90 degree left to return it into the inflation position.
3. Replace the cap back.

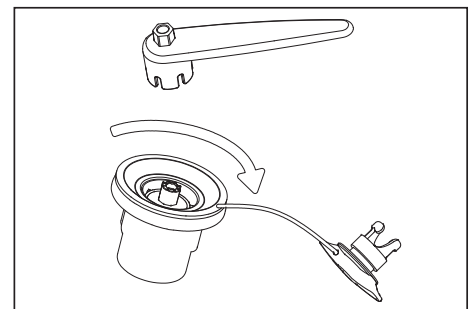


Air Valve Fastening

Check the air valve for leakage and tightness before use. If air is leaking from the air valve, use the provided wrench to tighten the air valve as follow:

1. Make sure the product is deflated, open the air valve cap and insert the wrench into the air valve body.
2. With one hand, hold the backside of the air valve base from the inside of the product and turn the wrench clockwise.

IMPORTANT: Never adjust the air valve base when the product is in use. Only use the air valve wrench if the air valve is loose or there is leakage around air valve base. Do not over tighten the air valve: over tightening can damage the valve. Just ensure the air valve is snug and not leaking.



SAVE THESE INSTRUCTIONS

Installing and Adjusting the Motor

Motor Installation (not included)

Install the motor along the centerline of the boat, in the middle of the transom engine mount and plate (**14 & 16**). Fully tighten the motor brackets by hand and check that they are still properly tightened after 10-20 minutes of running. Certain motors (4 HP and above) are equipped with a security stop switch lanyard. Always use the stop switch lanyard, refer to your motor owner's manual for details.

Motor Adjustment

The motor requires a double position adjustment in tilt and height that will impact the boat's attitude. You will have to adjust the motor in height only once. **WARNING:** Shut off the motor before making any adjustments!

To optimize the performance and maneuverability, you will have to adjust the angle of the motor in relation to the transom depending on the navigation conditions:

Motor Height

The motor is mounted on the transom. According to different brands of motors, even inside the same type of shaft, the length of the shaft can vary (few centimeters). It is generally necessary to add a shim to ensure correct height.

Motor adjusted too high = ventilation may occur with loss of forward thrust (cavitation).

Motor adjusted too low = loss of speed and more difficult steering may occur (splashes).

Motor Trim

The motor must be positioned so that the axis of the propeller is parallel with the water surface. The adjustment of the tilt can be done either manually or assisted by an electronic Trim (when equipped), refer to your motor owner's manual for details. **WARNING:** Shut off the motor before making any adjustments!

Load Distribution

- Evenly distribute the load by placing the fuel tank and other cargo on the front of the boat.
- To counterbalance the effect of the motor propeller's rotation on the entire boat, the pilot shall remain on the starboard side.
- An unevenly distribution of the load can destabilize the boat and may result in a loss of control.
- The boat will react roughly when lightly loaded, be careful when accelerating or changing direction.
- Depending on the navigation conditions and the direction of the waves, you must adjust the distribution of the load and the Trim.

Mooring and Towing

Mooring

- Use the hull's lateral towing/mooring ring fixed on the buoyancy tubes.
- Ensure the self-bailer valve is open during mooring to allow any water to drain out.

Towing

- Always use a bridle to tow the boat. Use the hull's lateral towing/mooring ring fixed on the buoyancy tubes.
- Unload the boat before towing, such as cargo, fuel tank, people and outboard motor.
- Towing must be done at low speed and in good weather conditions.

Safety and Operating Instructions

Before Departing from the Shore or Dock

Know all required information and inform your passengers:

- Take a boating safety course and get hands-on training from your boat dealer or local boating authorities.
- Know all local regulations and hazards related to water activities and boat operation.
- Check weather forecast, local currents, tides and wind conditions.
- Advise someone on land of the time you plan to be back at your starting point.
- Explain basic boat operation to all passengers.
- Children and non-swimmers need special instructions in the use of life jacket or personal floatation devices (PFD).
- Be sure that one of your passengers can operate the boat in case of emergency.
- Learn how to determine the distance you can cover, and remember that bad weather conditions can alter this.
- Review all safety requirements regularly.

Check the working condition of the boat and equipments:

- Check inflation pressure.
- Inspect the valves caps and the self-bailer valve.
- Make sure the motor clamps are securely tightened. If the motor is not bolted, secure the engine with a safety cable attached to the bracket and the motor plate.

SAVE THESE INSTRUCTIONS

- Make sure the safety stop switch lanyard works correctly.
- Check and top off fuel and oil level.
- Make sure the motor is not in gear before starting.
- Avoid sparks and open flame near batteries and fuel tank.
- Never connect the positive and the negative terminals of the battery together.
- Turn off engine before inspecting or servicing the battery.
- Check the load is evenly distributed, fore (front) to aft (back) and side-to-side.

Make sure that all required safety equipment is on board (check the laws and regulations of the country or locality in which you are boating to see if additional equipment may be needed):

- One personal flotation device (PFD) per person.
- Air pump, oars, repair kit and tool kit.
- Any other mandatory equipment.
- The boat papers and your boating license (if applicable).
- Lights are required if operating after dark.

Rules to Observe During Navigation

- Be responsible, do not neglect the safety rules, this could jeopardize your life and the lives of others.
- Always keep control of your boat.
- Respect local regulations and practices.
- Near the shore, navigate in the designated boating area.
- Remember that weather conditions can rapidly deteriorate. Always be sure that you can reach a shelter rapidly.
- Everyone on board must always wear a personal flotation device (PFD).
- Do not drink alcohol or take drugs before or while operating your boat. Maintain passenger sobriety.
- Do not exceed the authorized number of persons or weight.
- Make sure your passengers remain seated at all times. At planning speeds, in rough water or during sharp turns, all passengers should position themselves in seats or on the floor.
- No bow riding. Bow riding is illegal in most areas and is extremely dangerous. In case of falling, the man overboard is in the way of the propeller.
- Be especially careful when docking. Arms and legs may be injured if they are outside the boat.
- Keep clear of swimmers and divers. Always avoid areas where divers/swimmers are in the water.
- Keep a sharp lookout especially when operating near beaches and launch sites. The Alpha flag indicates proximity of divers. You MUST maintain a safe distance as required by your local boating laws, which may range from 50 meters (164 feet) to 91 meters (300 feet).
- Avoid sharp turns at high speeds. You could get ejected from the boat.
- Do not make changes in direction without advising passengers.
- Avoid all contact between the buoyancy tubes and sharp objects or aggressive liquids (such as battery acid, oil, petrol).
- Do not smoke on board. Most importantly while filling the fuel tank.
- Any fuel spilled must be cleaned and disposed of according to local laws and regulations.

Care and Maintenance

The boat is made of the highest quality materials and complies with ISO 6185 standards. Altering the construction of the boat will endanger your own safety, safety of the occupants and void the limited warranty!

There is very little that you have to do to keep your boat in good condition for many years. You may store it inflated or deflated. If you leave it outside, raise it up off the ground and do not place any heavy or sharp objects on it. If it is going to be in direct sunlight or exposed to leaves or rain, cover it with a tarp. We do not recommend hanging the boat. If you store it in a closet, basement or garage, we suggest you pick a cool, dry place, making sure the boat is clean and dry before you store it - or mold can accumulate.

Use as few cleaning agents as possible, do not discharge waste agents into water, and clean your boat preferably on land.

Clean your boat after a trip to prevent damage from sand, salt water or sun exposure.

Most dirt can be removed with a garden hose, a sponge and mild soap. Make sure the boat is completely dry before storing. Store the product and accessories in a dry, temperature controlled, between 32 degrees Fahrenheit (0 degrees Celsius) and 104 degrees Fahrenheit (40 degrees Celsius) storage location.

IMPORTANT: Gasoline spillage must be cleaned immediately to prevent damage to the boat material. Remove the floor to clean the gasoline spillage from the floor fabric. Do not use a vinyl preservative on the air chamber fabric. Chemicals in the preservatives may dry out the fabric and void the warranty.

SAVE THESE INSTRUCTIONS

Disassembly and Storage

First clean your boat thoroughly following the Care and Maintenance instructions. Open all air valves and deflate the boat completely. Remove all the accessories from the boat, seats, floor, gear, oars, outboard motor, etc. Fold the boat as follow:

1. Fold the deflated sides inward until the oar locks meet in the middle.
2. Fold the boat bow and transom inward, and then fold in the two rear cones inward over the transom.
3. Starting at the transom end roll up the boat from the transom towards the bow.



Close back all the air valves. Your boat is ready for storage. Fold the boat loosely and avoid sharp bends, corners and creases which can damage the boat.

Troubleshooting

If your boat appears a bit soft, it might not be because of a leak. If the boat was inflated late in the day with 32°C (90°F) air, that air might cool down to 25°C (77°F) overnight. The cooler air exerts less pressure on the hull, so it could appear soft the next morning.

If there has been no temperature variation, you need to start looking for a leak:

- Take a good look at your boat from just a few feet away. Flip it over and closely check over the outside. Any large leaks should be clearly visible.
- If you have an idea where your leak is, use a mix of dishwashing liquid and water in a spray bottle, and spray over the suspicious areas. Any leak will produce bubbles that will pinpoint the location of the leak.
- Check valves for leak, if necessary, spray soapy water around the valve and the valve base.

Repairs

Through constant use you may occasionally puncture your boat. Most leaks only take a few minutes to repair. Your boat comes with a repair patch, and additional repair supplies can be ordered from Intex Consumer Service or from our website.

First locate the leak; soapy water will bubble out from the source of the leak. Thoroughly clean the area surrounding the leak to remove any dirt or grime.

Cut a piece of repair patch large enough to overlap the damaged area by approximately 1.5 cm (1/2"). Round off the edges, and place the patch on the damaged area and **PRESS DOWN FIRMLY**. You may want to use a weight on top to keep it in place.

Do not inflate in 30 minutes after patching.

If the patch does not hold, you can purchase a PVC or silicon based glue for repairing camping mats, tents or shoes from your local market to patch your boat, please refer to the instruction of the glue for patching.

SAVE THESE INSTRUCTIONS

Limited Warranty

Intex Inflatable Transom Boat

92
A

Your Intex Inflatable Boat has been manufactured using the highest quality materials and workmanship. All Intex Inflatable Boats have been inspected and found free of defects prior to leaving the factory. This limited warranty applies to the Intex Inflatable Boat only.

This limited warranty is in addition to, and not a substitute for, your legal rights and remedies. To the extent that this warranty is inconsistent with any of your legal rights, they take priority. For example, consumer laws across the European Union provide statutory warranty rights in addition to the coverage you receive from this limited warranty: for information on EU-wide consumer laws, please visit the European Consumer Center website at http://ec.europa.eu/consumers/ecc/contact_en/htm.

The provisions of this limited warranty apply only to the original purchaser. This Limited Warranty is valid for a period of 2-year from the date of purchase. Keep your purchase information with this document, as proof of purchase will be required and must accompany warranty claims or the limited warranty will be invalid.

If you find a manufacturing defect in the Intex Inflatable Boat during the warranty period, please contact the appropriate Intex Service Center listed in the separate "Authorized Service Centers" sheet. If the item is returned as directed by the Intex Service Center, the Service Center will inspect the item and determine the validity of the claim. If the item is covered by the provisions of the warranty, the item will be repaired or replaced, with the same or comparable item (at Intex's choice) at no charge to you.

Other than this warranty, and other legal rights in your country, no further warranties are implied. To the extent possibly in your country, in no event shall Intex be liable to you or any third party for direct or consequential damages arising out of the use of your Intex Inflatable Boat, or Intex or its agents' and employees' actions (including the manufacture of the product). If your country does not allow the exclusion or limitation of incidental or consequential damages, this limitation or exclusion does not apply to you.

You should note that this limited warranty does not apply in the following circumstances:

- If the Intex Inflatable Boat is subject to negligence, abnormal use or application, accident, improper operation, trailering or towing, improper maintenance or storage;
- If the Intex Inflatable Boat is subject to damage by circumstances beyond Intex's control, including but not limited to, punctures, tears, abrasions, or ordinary wear and tear;
- To parts and components not sold by Intex; and/or
- To unauthorized alterations, repairs or disassembly to the boat by anyone other than Intex Service Center personnel.

Read the owner's manual carefully and follow all instructions regarding proper operation and maintenance of your Intex Inflatable Boat. Always inspect your equipment prior to use. This limited warranty will be void if use instructions are not followed.

RECORD THE OWNER'S NAME, ADDRESS, PHONE NUMBER AND **WIN** BELOW:

SAVE THESE INSTRUCTIONS